



SP 17

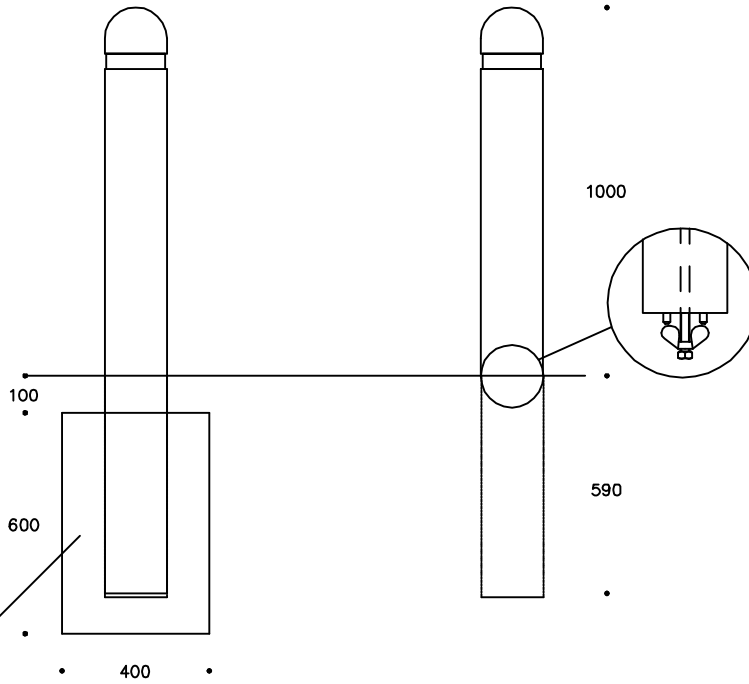


• 170 •

SP 18



• 170 •



Concrete Foundation

Regarding stability please note that it is very important that the soil is firm and stable

Construction approved by :	Welding approved by :	Material:	Scale 1:1	Sheet Size : A4
This drawing is property of VEKSØ A/S May not be copied or used by third person.		All dimensions is in mm. Gen Tol : DS/ISO 2768	Subject:	
		Drawn by :	Rev : CO	
		Date :	Date :	
		Description :		
		Part Number:		
		Drawing Nr. : <b>SP 17-18</b>		



VEKSØ A/S, Nordensvej 2, DK-7000 Fredericia  
www.vekso.com, info@vekso.com



This document was created with Win2PDF available at <http://www.win2pdf.com>.  
The unregistered version of Win2PDF is for evaluation or non-commercial use only.  
This page will not be added after purchasing Win2PDF.