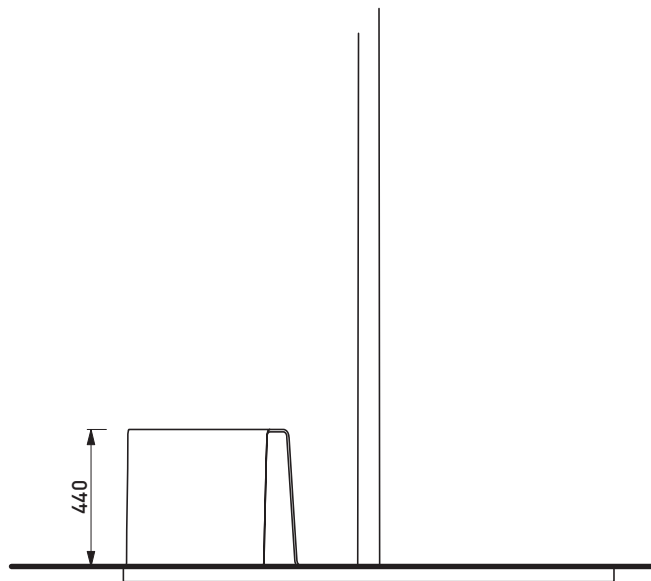
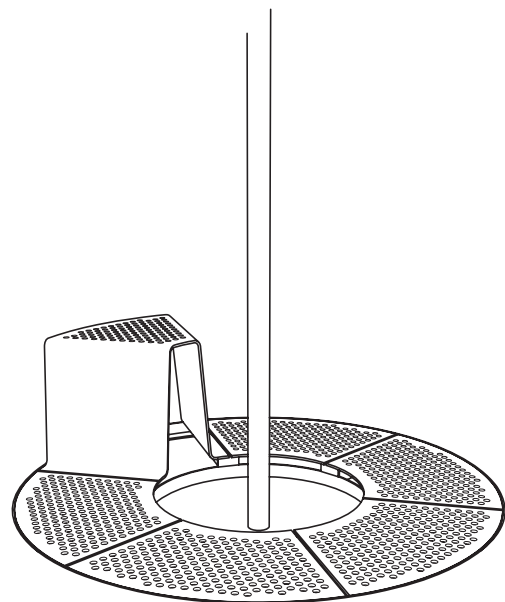


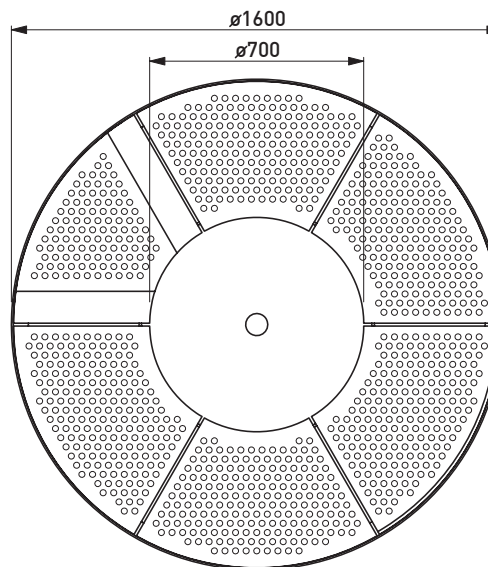
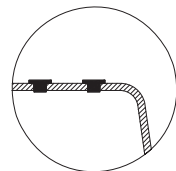
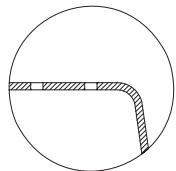


ILLUSTRATIVE PHOTO



SNS210-01

SNS215-01



TECHNICAL SPECIFICATIONS 2/5

SNS210-01 / SNS215-01 - SINUS

